



On Torch Welding Fume Filter (Modell SRF T2/T4)

**Boost your productivity and protect your work force
and high tech investments!**

Applications

Abicor Binzel Filtration Units are suitable for the extraction of fumes generated during the processing of:

- construction steel
- non-alloy steels and steel with low alloy content
- aluminium-/copper-materials
- galvanized parts

And: Automatic on/off function!

1 work place

(required airflow approx. 200 m³/h)

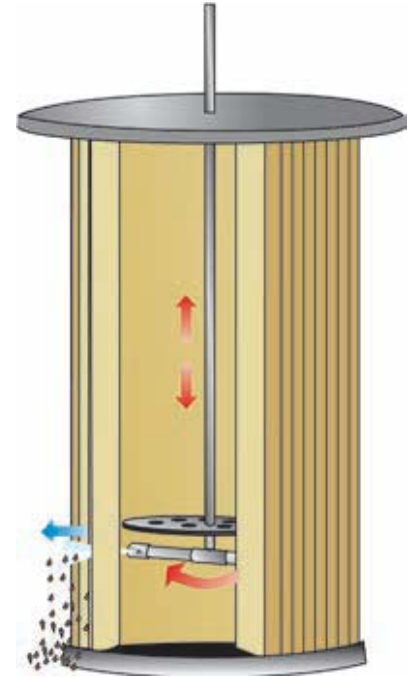


Advantages of cleanable filter cartridges

- *high filtration efficiency*
- *continuous suction power*
- *low operating cost due to durable filter cartridge*

→ *VERY COMPETITIVE TOTAL COST OF OWNERSHIP*

For the Abicor Binzel portable welding fume filter the manual pneumatic cleaning is based on pneumatic air and a rotating nozzle, that cleans the filter lamellas from the inside to the outside



Abicor Binzel Welding Fume Filter:

- The compact and portable Abicor Binzel Welding Fume Filter captures the welding fumes directly at the source
- Cleanable long life cartridge filters keep the operating costs low
- A dust drawer makes disposal of the extracted dust easy and convenient
- The installed long-life filter cartridge (Dust Classification M) can be cleaned fast and efficient by the integrated compressed air nozzle, that ensures equal cleaning of the filter pleats

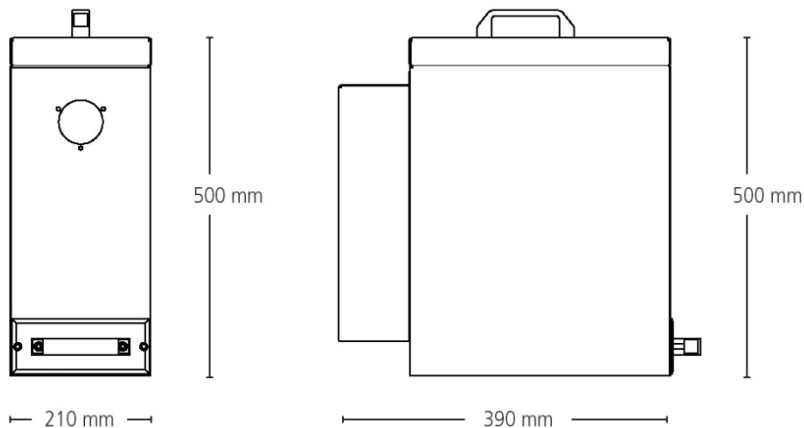


Application Range:

- Outside work, assembly or construction sites
- Non – alloy steels and steels with low alloy content

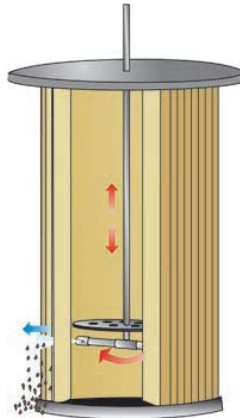
Special Features:

- Portable units that can be used in any location
- Automatic on / off function
- Compact and functional design
- Low operating costs with cleanable long life filter cartridges
- Integrated compressed air cleaning nozzle
- Cleanable long life filter cartridge of dust classification M



Advantages:

- high filtration efficiency (> 99,9 %)
- cleanable long-life filter cartridges of dust classification M
- integrated compressed air cleaning nozzle



Technical Data:

Welding fume filter SRF		T-2
Max. airflow	m ³ /h	200
Intake diameter	mm	50
Max. negative pressure	Pa	19.000
Voltage	V	230
Motor	kW	1,1
Filter surface	m ²	0,8
Dimensions (L/W/H)	mm	390 x 210 x 500
Weight	kg	15
Order Number		55.101

